

Daytona

LR-6

6,000 LBS MID-RISE SCISSOR LIFT



LR-6

Note: Product may vary slightly from image shown

Features

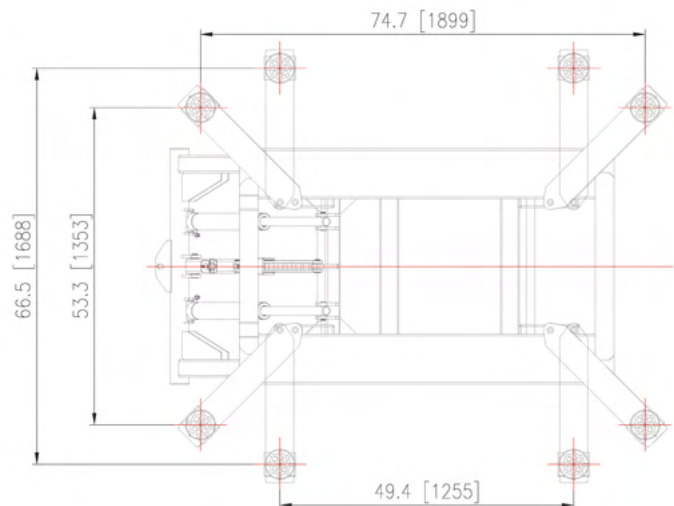
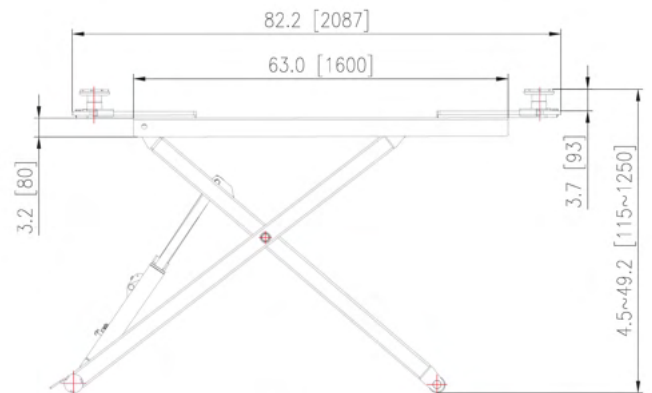
- Double cylinder design
- Mechanical safety lock
- Powder coated for strength and durability
- Height extensions included
- Ultrathin design for low vehicles and storage

Specifications

120V 1.5HP 15A 1PH 60Hz

6,000lb Capacity

Rise Time - 45 seconds



DIMENSIONS, COLOURS AND ITEMS ARE SUBJECT TO CHANGE WITHOUT
PRIOR NOTICE DUE TO OUR CONTINUOUS IMPROVEMENT PROGRAM

Shipping Dimensions: Lift 87" x 43" x 9" 900lbs
Pump 31" x 14" x 12" 80lbs

720 W. Myers Blvd, Mascotte, FL 34753

407-325-4515 - Liftman53@Gmail.com

Florida Lift Experts