

# Daytona

## OH-12A 12,000 LBS 2-POST ADJUSTABLE LIFT



OH-12A

*Note: Product may vary slightly from image shown*

## Features

- 12,000 lbs lifting capacity
- Automatic safety locks, with single point lock release
- High polymer polyethylene wear resistant slide blocks
- Dual direct drive hydraulic cylinders
- Screw up pads
- Height limit switch
- Full length rubber door guards
- Powder coat finish for durability
- Three stage front arms and rear arms
- Truck adapters standard
- Optional height kit adds 2 feet of clearance under overhead bar (not included)

**Please Note: Optional 2ft Height Extension Kit is Sold Separately**

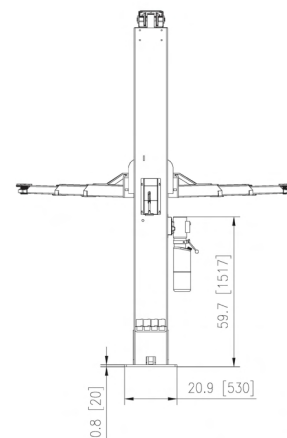
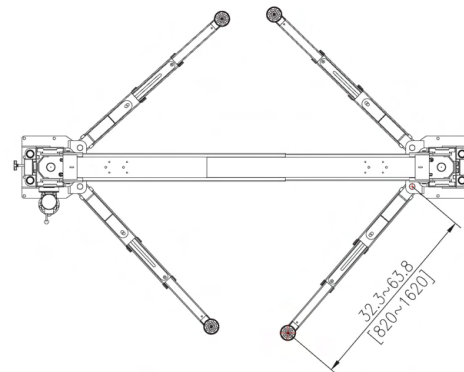
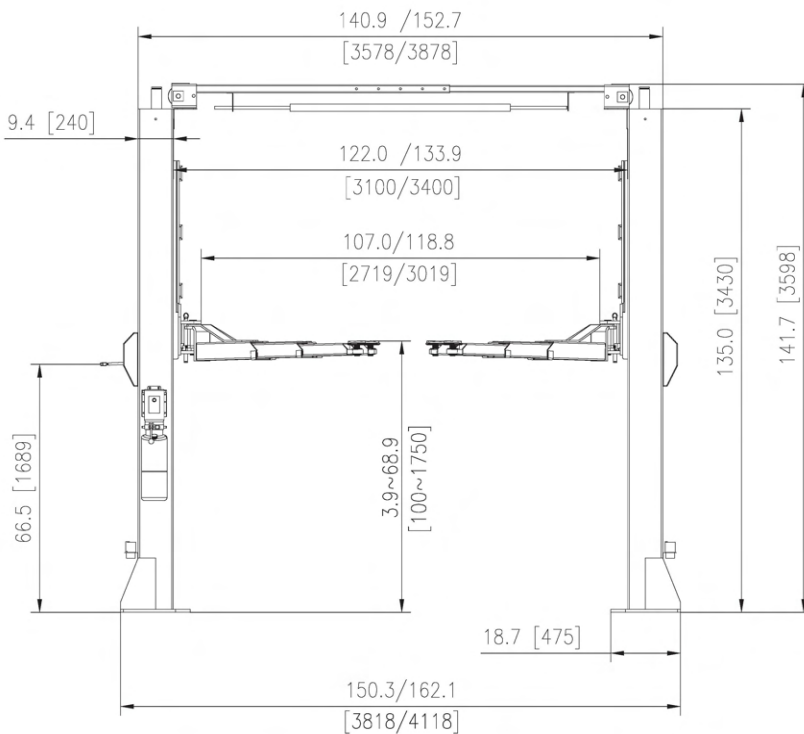
# Daytona

## OH-12A 12,000 LBS 2-POST ADJUSTABLE LIFT

### Specifications

Power - 240V 3HP 13A PH1 60Hz

Please note, these blueprints are for the lift at its most narrow width setting. When assembled at its widest width setting, the overall width changes from 150.3" to 163"



#### 3 Width Settings

- Narrow drive through width- 107"
- Medium drive through width - 113"
- Widest drive through width - 119"

DIMENSIONS, COLOURS AND ITEMS ARE SUBJECT TO CHANGE WITHOUT PRIOR NOTICE DUE TO OUR CONTINUOUS IMPROVEMENT PROGRAM

Shipping Dimensions: Lift 138" x 22" x 41" 2400lbs  
Pump 31" x 11" x 12" 60lbs  
Optional Height Kit 32" x 15" x 18" 210lbs

720 W. Myers Blvd, Mascotte, FL 34753

407-325-4515 - Liftman53@gmail.com

Florida Lift Experts