

# Daytona

## PRO-12-AL 12,000 LBS 4-POST ALIGNMENT LIFT



PRO-12-AL

*Note: Product may vary slightly from image shown*



## Features

- Ladder lock system with manual release has locking positions every 3.5" starting at 21"
- Tilting approach ramps in bright orange
- Large heavy duty 5" cylinder
- Aircraft quality lifting cables
- Matted powder coat finish in dark Grey
- Built in slip plates and adjustable turntables
- 25.5" runway accommodates various vehicle widths
- Will accommodate most dual rear wheel pickup trucks

**Please Note: Lift only - Wheel Alignment Machine is sold separately. Rolling Jack is sold separately.**

*Daytona*

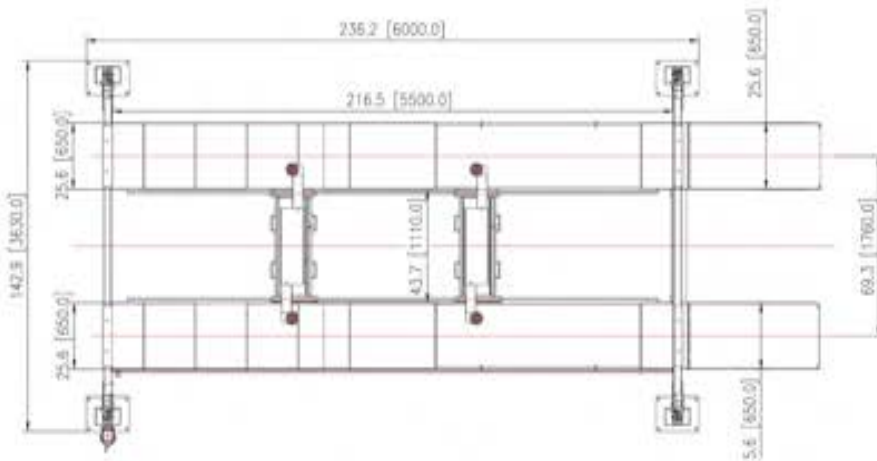
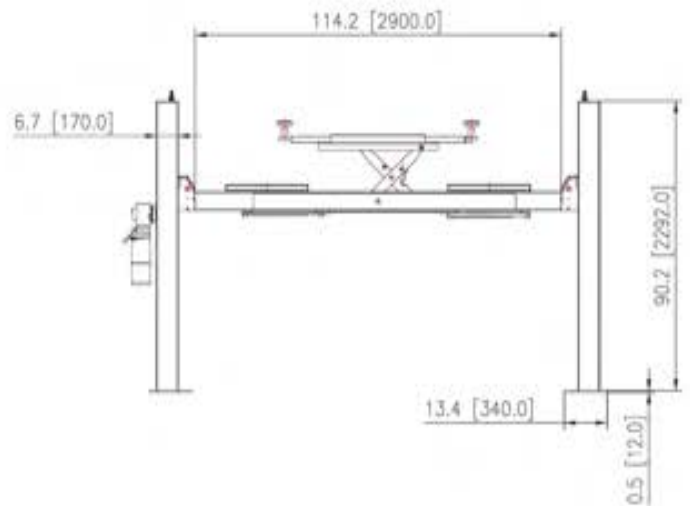
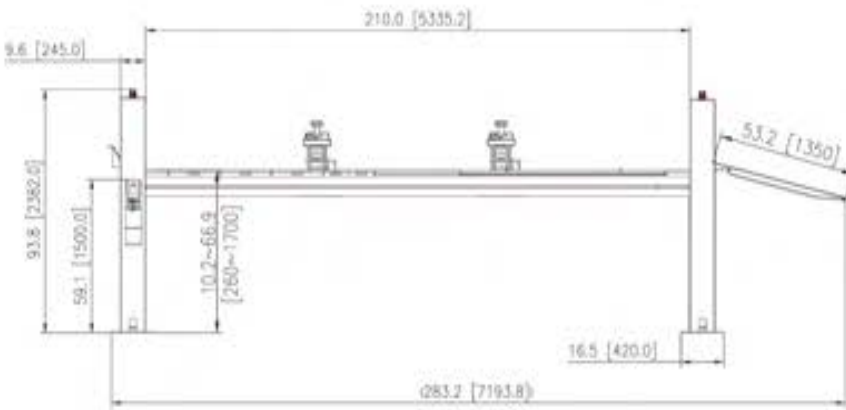
# PRO-12-AL 12,000 LBS 4-POST ALIGNMENT LIFT

## Specifications

Power - 240V 4 HP 15 Amp 1PH 60Hz

Rise Time - 110s

Drop Time - 110s



DIMENSIONS, COLOURS AND ITEMS ARE SUBJECT TO CHANGE WITHOUT PRIOR NOTICE DUE TO OUR CONTINUOUS IMPROVEMENT PROGRAM

Shipping Dimensions: Lift 229" x 30" x 44" 4500lbs  
Pump attached to lift. Included in dimensions

1720 W. Myers Blvd, Mascotte, FL 34753

407-325-4515 - "Liftman53@Gmail.com"

Florida Lift Experts