

Daytona

PRO-14-AL 14,000 LBS 4-POST ALIGNMENT LIFT



PRO-14-AL

Note: Product may vary slightly from image shown



Features

- Ladder lock system with manual release has locking positions every 3.5" starting at 21"
- Tilting approach ramps in bright Orange
- Large heavy duty 5" cylinder
- Aircraft quality lifting cables
- Matted powder coat finish in dark Grey
- Built in slip plates and adjustable turntables
- 25.5" runway accommodates various vehicle widths
- Will accommodate most dual rear wheel pick up trucks

Please Note: Lift only - Wheel Alignment Machine is sold separately. Rolling Jack is sold separately.

Daytona

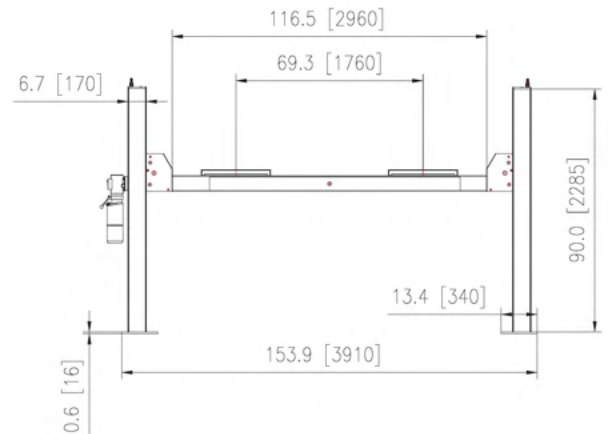
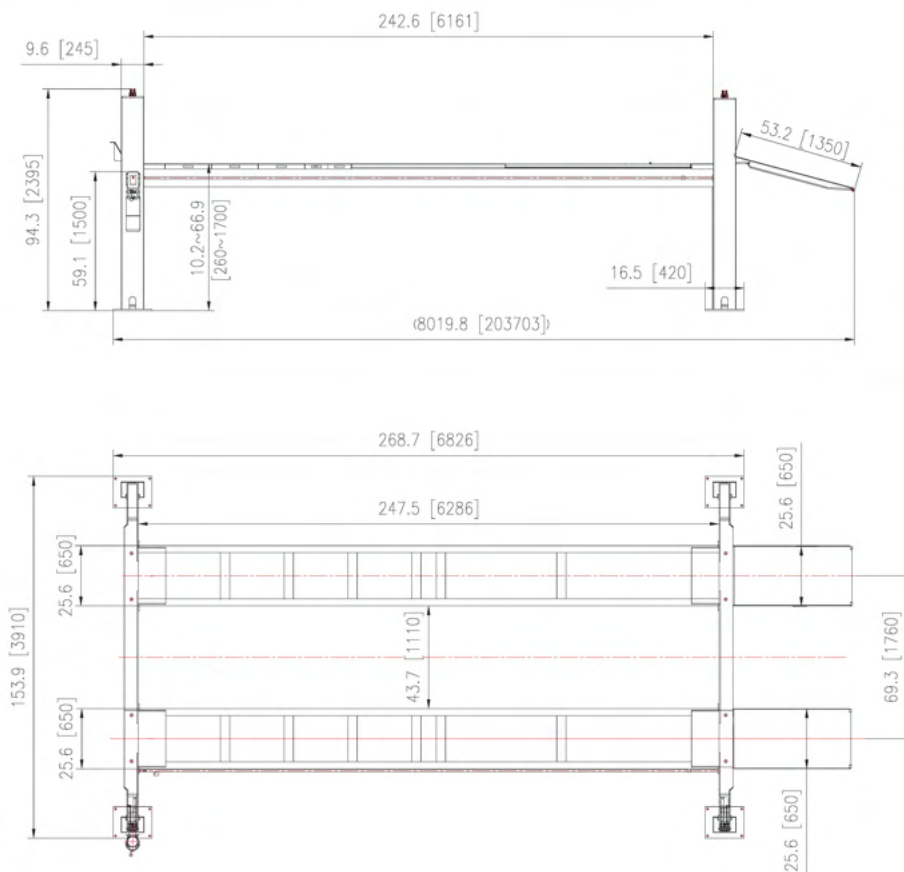
PRO-14-AL 14,000 LBS 4-POST ALIGNMENT LIFT

Specifications

Power - 240V 4HP 15Amp 1 Ph 60Hz

Rise Time - 110s

Drop Time - 110s



DIMENSIONS, COLOURS AND ITEMS ARE SUBJECT TO CHANGE WITHOUT PRIOR NOTICE DUE TO OUR CONTINUOUS IMPROVEMENT PROGRAM

Shipping Dimensions: Lift 247" x 32" x 42" 5400lbs
Pump attached to lift. Included in dimensions

720 W. Myers Blvd, Mascotte, FL 34753
407-325-4515 - Liftman53@Gmail.com

Florida Lift Experts